

3.2mm Indoor Rear Service Die-casting Al Cabinet

Main Technical Specifications:

PARAMETERS	VALUE
Pixel Pitch	3.2 mm
Pixel configuration	1R1G1B
LED type	3-in-1 Black SMD2121
Brightness	1000 cd/m ²
Color temperature	2000K~9300K adjustable
Viewing angle	H: 140 °; V:120 °
Pixel density	97344 pixels/m ²
Recommended viewing distance	≥3.2 M
Module size	250mm×250mm
Cabinet size	W500m×H500mm×D90.6mm
Cabinet Weight	9 kg(19.84lb)
Cabinet Area	0.25 m ²
Material	Die-casting Aluminum
Aspect ratio	1:1
Ingress protection	IP30
Operating Temperature/Humidity	-10℃~+45℃/10~80%RH
Storage Temperature/Humidity	-20℃~+55℃/10~80%RH
Pixels per panel	156×156 Dots
Processing depth	16bits
Gray scale	65536 levels per color
Color	281.4 trillion
Service method	Rear
Curve optional	(Outer) -3 °~+10 °(Inner)
Calibration	Support luminance/chroma
Brightness control	Manual/Automatic
Contrast ratio	3000:1
Video frame rate	50/60Hz
Rate refresh	2880Hz
Input voltage	100-240V~
Input power frequency	50~60Hz
Input power <max>	120W/ Panel
Input power <typical>	40 W/ Panel
Life Time	≥100,000 Hours
LED Wavelength	R:620~630nm G:520~535nm B:465~475nm
Driving Method	1/13 Scan, Constant Current
Input signal	DVI/HDMI/VGA/SDI/DP/AV/S-Video
Rigging form	Hanging(Max.20tiles)/Stacking(Max.20tiles)
Data interconnection	CAT5 Cable (L≤100m); multi-mode fiber (L≤300m); single mode fiber (L≤15km)

Note: The power is only for reference, specification subjected to change without prior notice.

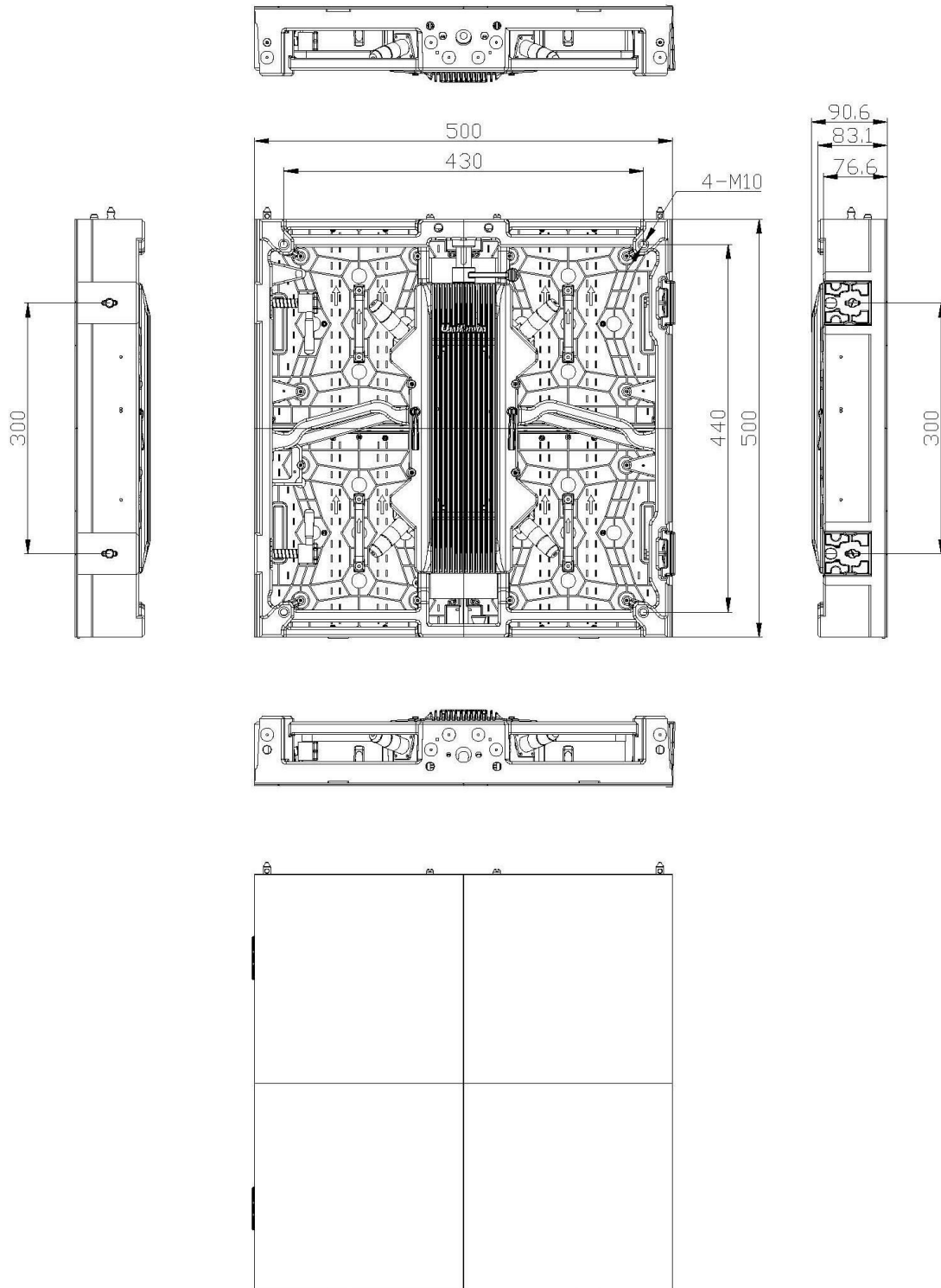


Fig1. Panel Dimension

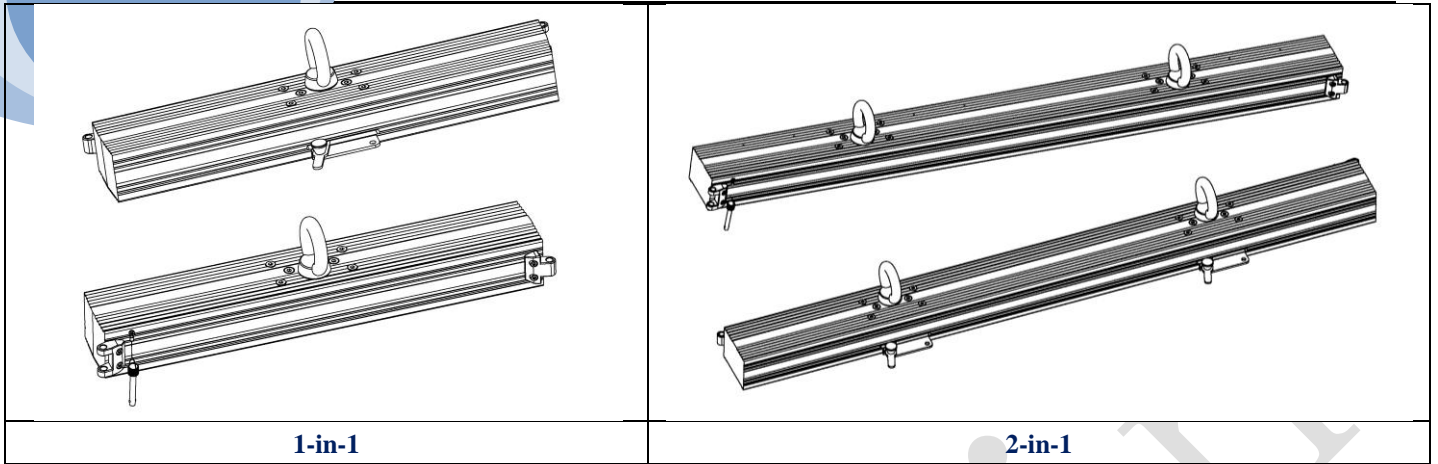


Fig2. Hanging beam

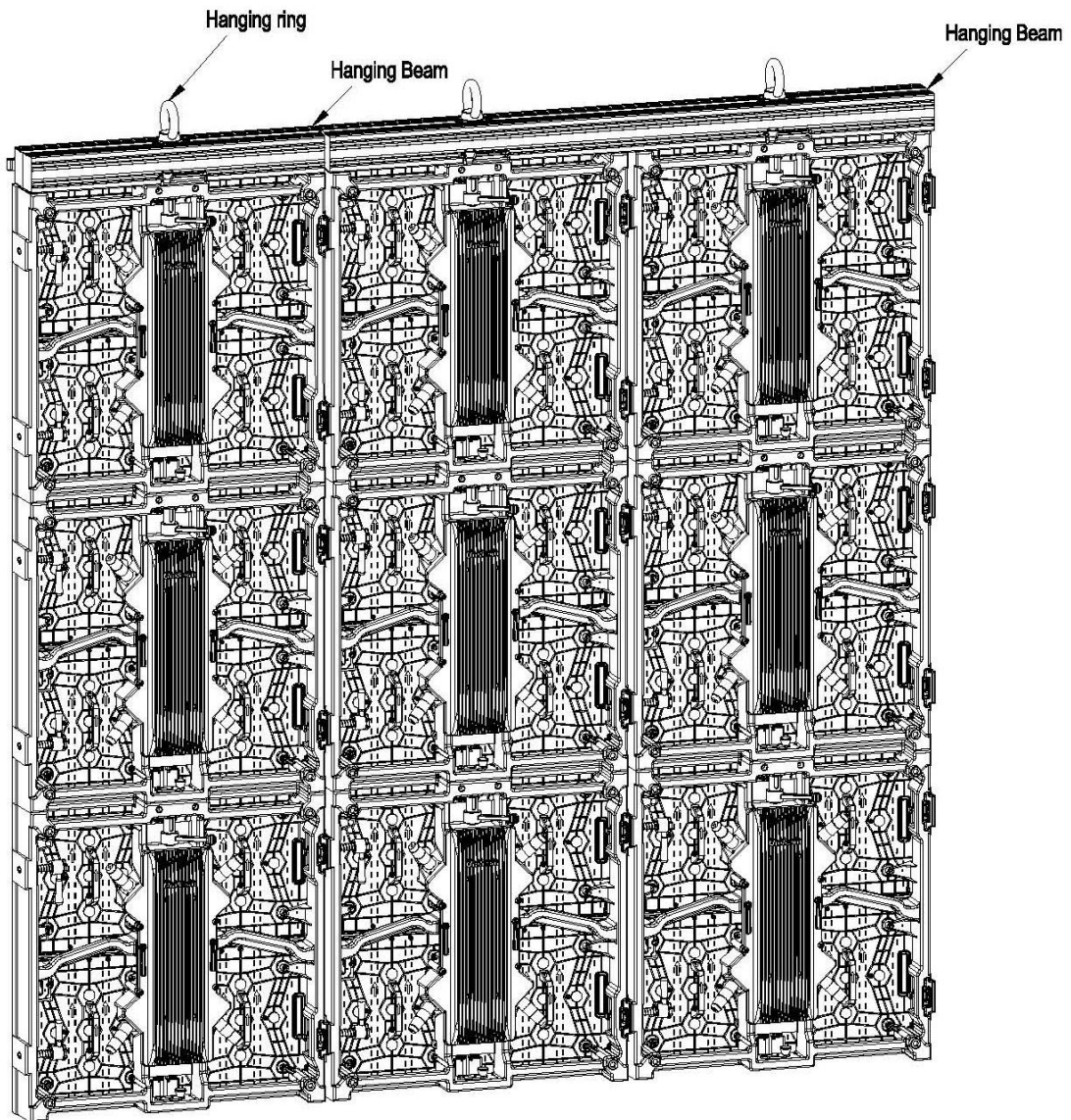


Fig3. Hanging Diagram

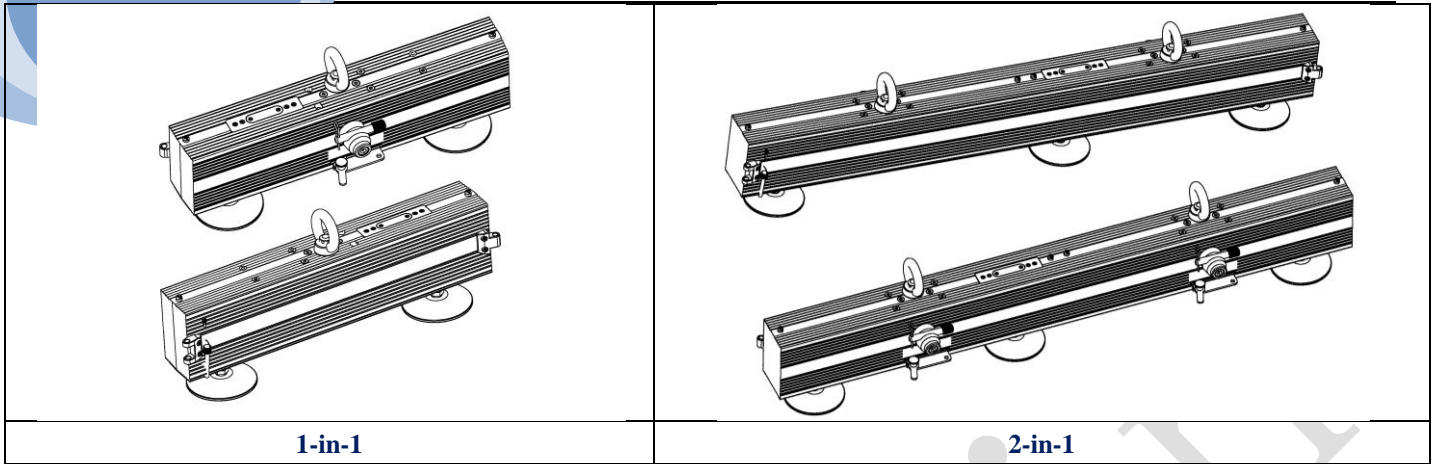


Fig4. Hanging/Ground beam

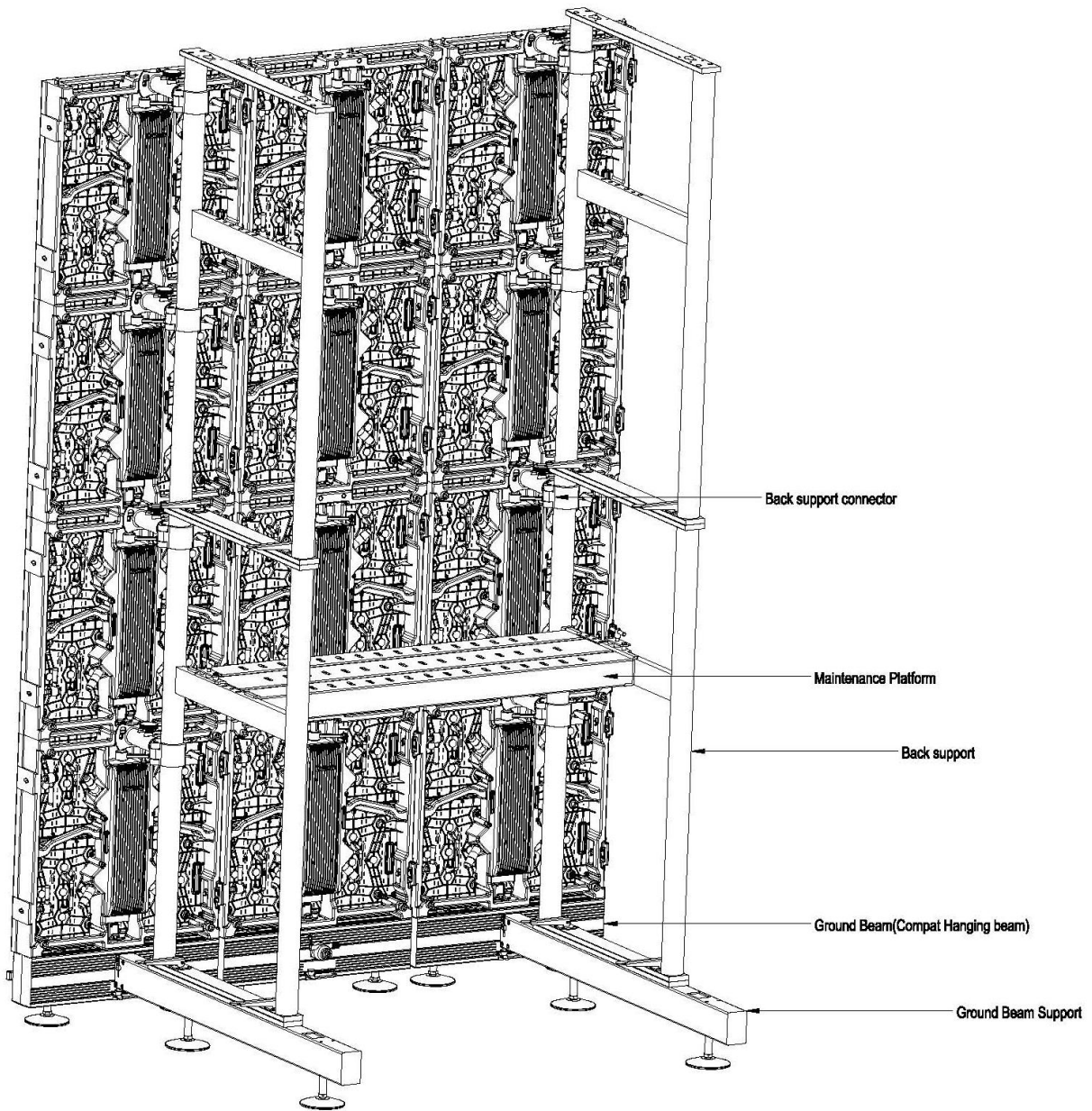


Fig5. Stacking Diagram